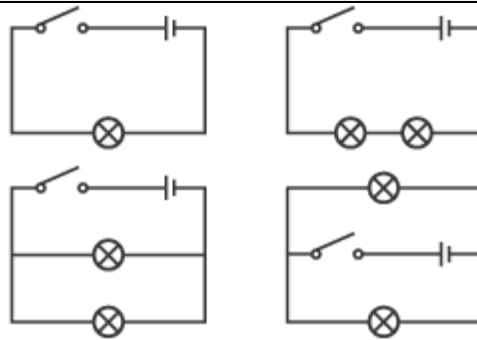
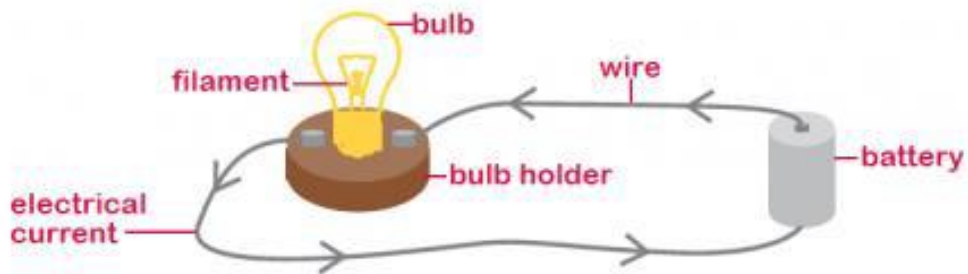


Electricity Knowledge Organiser



Circuit diagrams

A simple circuit showing key components



By changing the components in a circuit we can vary:

The brightness of a lamp



The volume of a buzzer



Simple series circuit

In order for electricity to flow, a circuit needs three things:

1. A source of electricity
2. No gaps in the circuit
3. Conductors

Key Vocabulary

Battery	A container consisting of one or more cells where chemical energy is converted into electricity and used as a source of power
Bulb	A glass bulb which provides light by passing an electrical current through a filament
Buzzer	An electrical device that makes a buzzing noise and is used for signalling
Cell	A device containing electrodes that is used for generating current
Circuit	A complete and closed path around which a circulating electric current can flow
Conductor	A material or device which allows heat or electricity to carry through
Current	A flow of electricity which results from the ordered directional movement of electrically charged particles
Electricity	A form of energy resulting from the existence of charged particles
Filament	A conducting wire or thread with a high melting point that forms part of an electric bulb
Motor	A machine powered by electricity that supplies motive power for a vehicle or other moveable device
Switch	A device for making and breaking the connection in an electric circuit
Voltage	An electrical force that makes electricity move through a wire, measured in volts

Symbols



Battery



Wire



Bulb



Buzzer



Motor



Switch (off)



Switch (on)